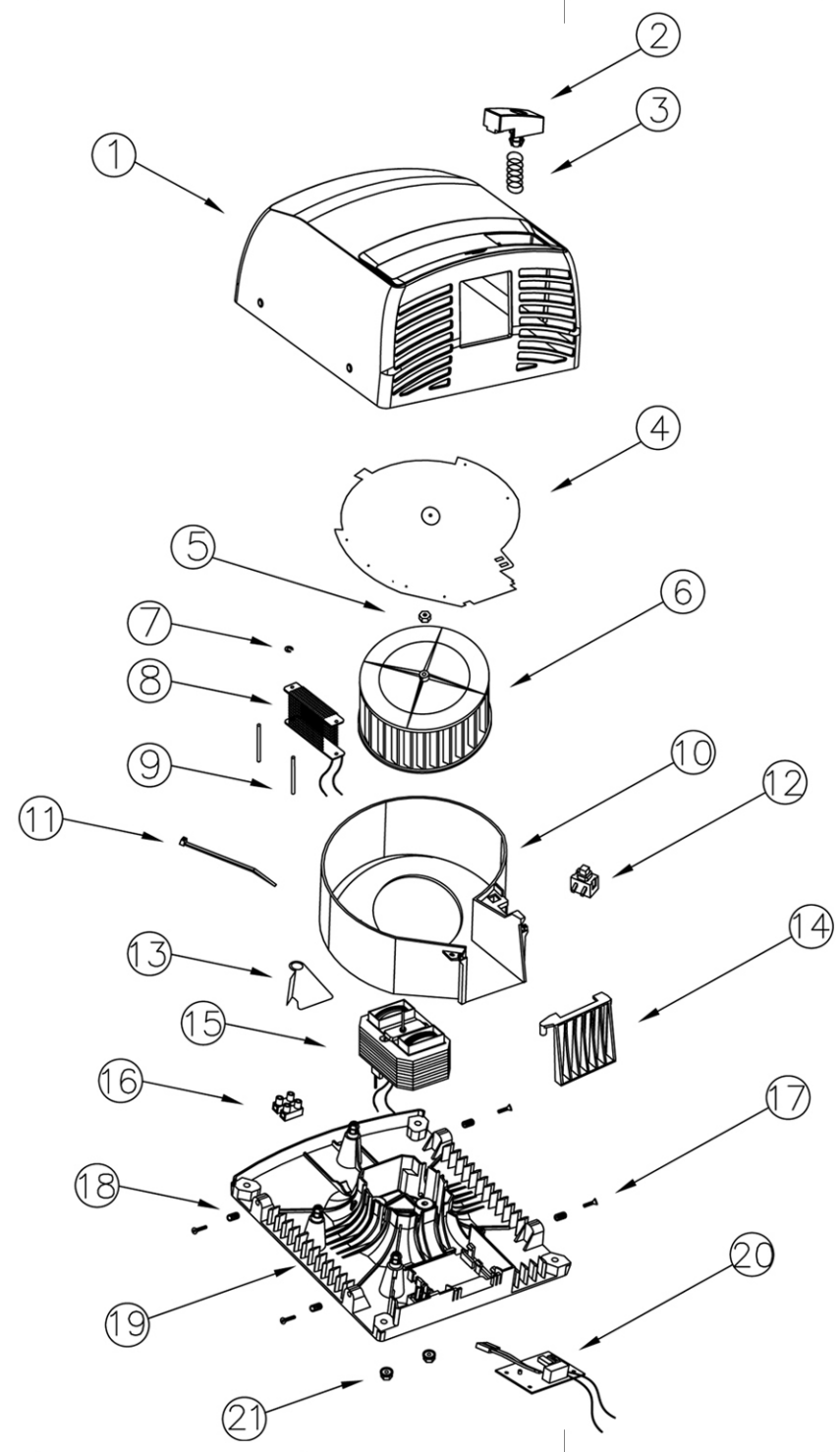


M88 PLUS

HAND DRYER
220-240V 50/60HZ



N°	NAME	MATERIAL	QTY
1	COVER	ABS	1
2	PUSH BUTTON		1
3	PUSH BUTTON SPRING		1
4	UPPER PLATE		1
5	NUT		1
6	SCROLL FAN WHEEL	PP	1
7	CIRCLIP		1
8	HEATING ELEMENT		1
9	ISOLATING PIPE		2
10	SCROLL	ABS	1
11	CLAMP		1
12	SWICHT		1
13	MAINS COVER		1
14	OUTLET GRILL		1
15	MOTOR		1
16	TERMINAL STRIP		1
17	SCREWS TO FIX THE COVER		4
18	BUSHINGS TO FIX THE COVER		4
19	BASEPLATE	ABS	1
20	ELECTRONIC TIMER		1
21	MOTOR NUTS		2
22	BAG WITH SCREWS AND PLUGS		1